

**CODES & QAPS**

*collaboration with allies*

# *finding allies*

Phius  
Alliance MN

Midwest Building  
Decarbonization  
Coalition & Coalition

AIA MN  
Government  
Affairs

volunteering for  
Technical Advisory  
Committee

Passive  
House MN  
(NAPHN)

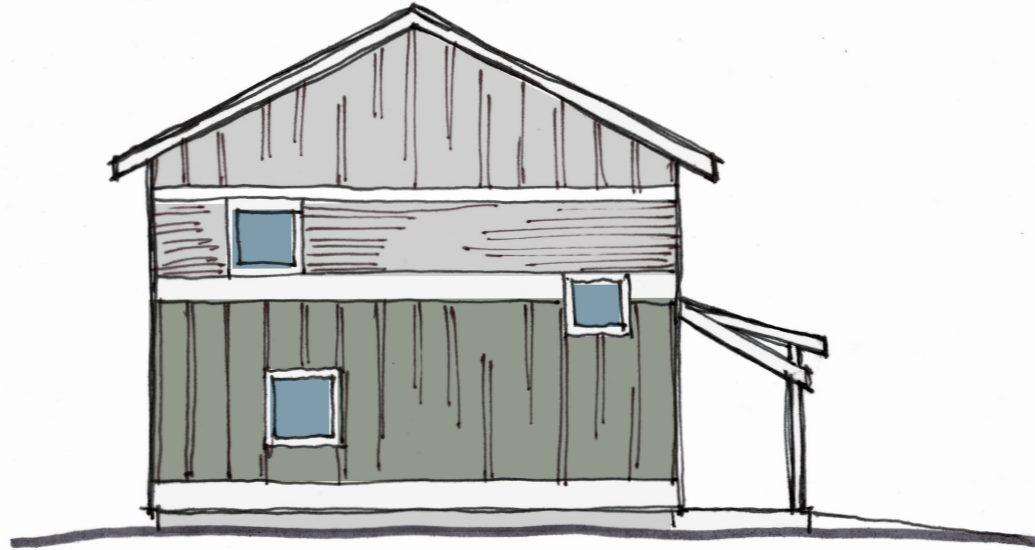
**INCENTIVES**

*minneapolis homes*

# *incentivizing phius, phi, & net zero energy ready homes + solar*



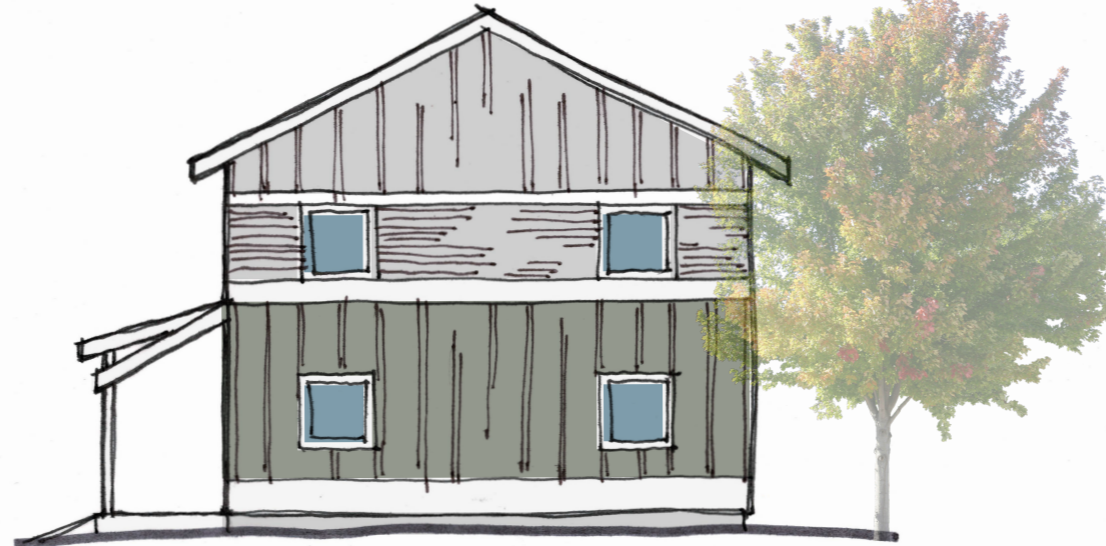
② North  
1/8" = 1'-0"



① East  
1/8" = 1'-0"



③ South  
1/8" = 1'-0"



④ West  
1/8" = 1'-0"

\$90,000  
incentive

# MARKET ANALYSIS

*phius level construction*

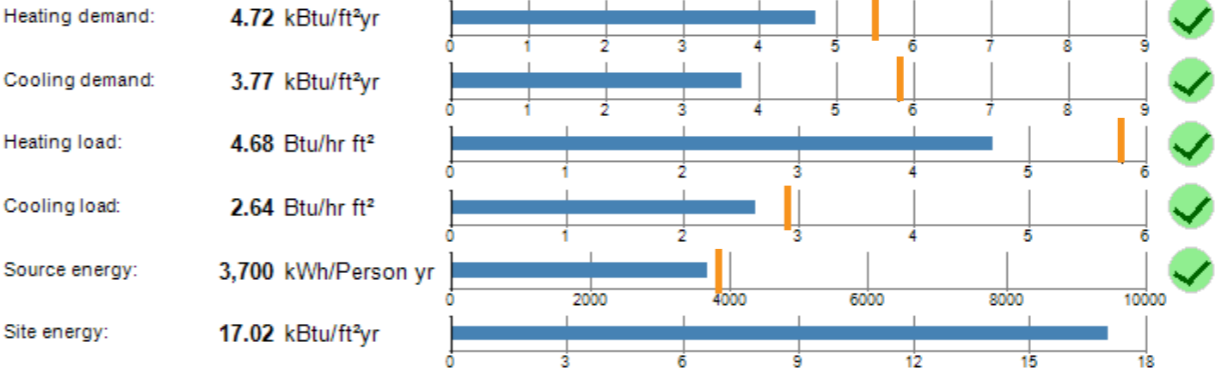
research sponsored through a MN Department of Commerce CARD grant

# current multifamily phius in minnesota



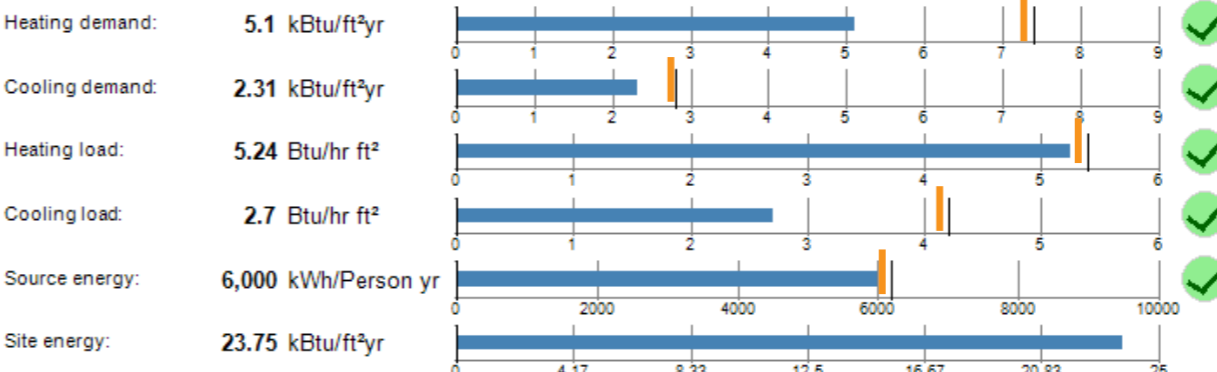
image courtesy Kaas Wilson

## VERDANT PHIUS+ 2018 PRE-CERTIFIED



copyright Newport Midwest

## HOOK & LADDER PHIUS+ 2015 CERTIFIED



# interview synthesis

## Distribution of Interviewees



*Initial outreach was conducted to 59 unique stakeholders across the building design, development, and construction community as well as local housing authorities and municipal entities. Out of that original pool of candidates we carried out structured phone interviews with 29 people.*

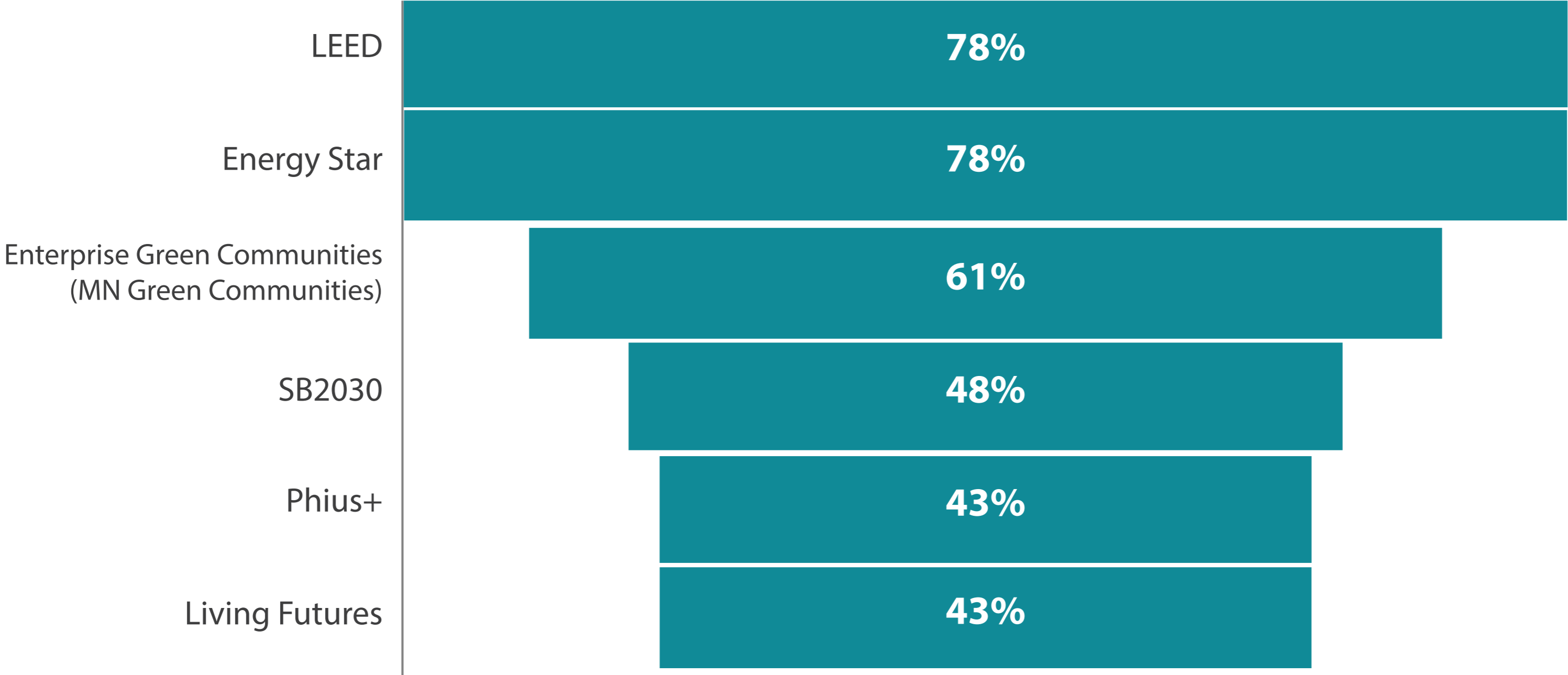
# *questions*

*Interviewees were asked a series of questions on both their general awareness and perceptions of Passive buildings.*

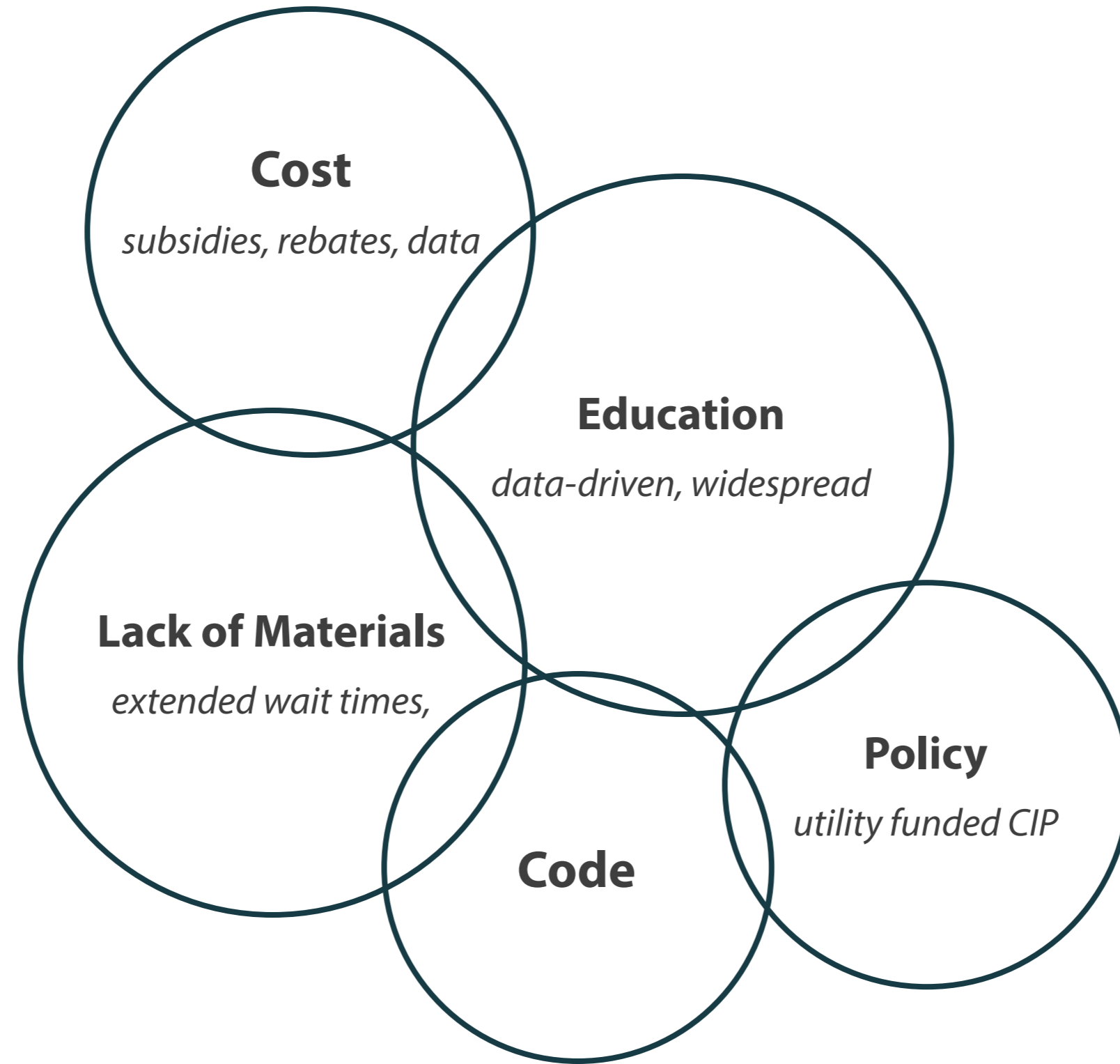
*Specific questions based on industry sectors were also administered for feedback and considerations to help move the market towards increased adoption.*



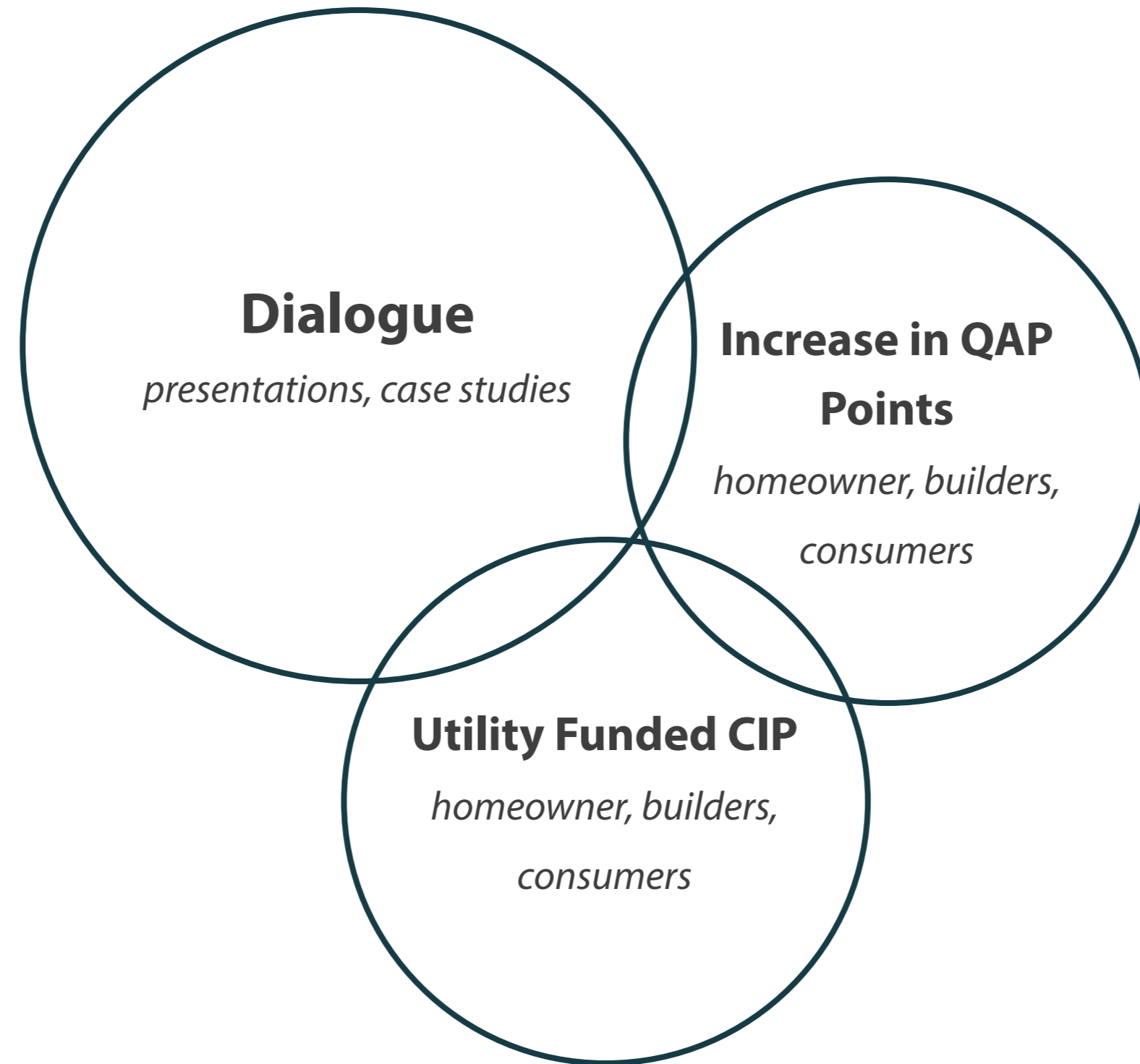
# *familiarity with green standards*



# *opportunities*



# *possible solutions*



Research will be made available in a public report and webinar

# ENERGY MODELING

*estimating the impact*

# estimating phius impact - setting the base case

Minnesota Climate Zones		Climate Zone	7	7	6A Central	6A	6A South
		Weather Station	Bemidji Municipal Airport	Duluth Intl Airport	Minneapolis-St. Paul Intl Airport	Rochester Intl Airport	Albert Lea (AWOS)
		Elevation	1377.95 ft/420 m		833.33 ft/254 m		1256.56/383 m
<b>Study Buildings</b>							
<b>A. Small Multifamily</b>			Target	Modeled	Target	Modeled	Target
Envelope Area	14,107.5	Heating Demand	8.5		7.3		7.6
iCFA	8,595.8	Cooling Demand	4.3		5.5		5.2
Dwelling Units	6	Heating Load	5.9		6.3		6.9
Bedrooms	18	Cooling Load	1.9		2.6		2.1
		Airtightness					
		Source Energy	3850	3850	3850	3850	3850
		Site Energy	-				
<b>B. Mid-Size Multifamily</b>							
Envelope Area	17,749.3	Heating Demand	7.8	7.7	7.1	7.3	7.4
iCFA	17,918.8	Cooling Demand	5.6	5.2	6.9	6.4	7.2
Dwelling Units	23	Heating Load	6.3	5.8	6.8	7.4	5.8
Bedrooms	23	Cooling Load	2.5	2.7	3.1	2.7	3
		Airtightness					
		Source Energy	5175	5175	5175	5175	5175
		Site Energy	-				
<b>C. Large Multifamily</b>							
Envelope Area	56,200.1	Heating Demand	7.7	7.6	6.9	7.1	7.2
iCFA	53,167.0	Cooling Demand	5.6	5.2	6.8	6.3	7
Dwelling Units	59	Heating Load	6.2	5.7	6.6	7.2	5.7
Bedrooms	97	Cooling Load	2.4	2.6	3	2.6	2.9
		Airtightness					
		Source Energy	4425	4425	4425	4425	4425
		Site Energy	-				
Phius 2021 Criteria Calculator v3.1 ( <a href="https://www.spreadsheethosting.com">spreadsheethosting.com</a> )							

# CASE STUDY

*affordable net-zero townhomes*

# hillcrest village | community action center of northfield

## NET-ZERO TOWNHOMES

TPOLOGY Residential/2-Unit Townhomes  
CLIENT Community Action Center of Northfield  
YEAR Design 2020  
LOCATION Northfield, Minnesota  
AREA 2,521 GSF

### PROJECT TEAM

DESIGN Sweetgrass Design Studio  
CONTRACTOR Steve Schmitt  
CPHC Precipitate  
RESEARCH CSBR @ University of Minnesota

### PERFORMANCE DATA

CLIMATE ZONE 6  
iCFA 2,222 SF

#### Space Conditioning Criteria

Annual Heating Demand	10.4	kBTU/ft <sup>2</sup> yr
Annual Cooling Demand	8.5	kBTU/ft <sup>2</sup> yr
Peak Heating Load	8.4	BTU/ft <sup>2</sup> hr
Peak Cooling Load	3.6	BTU/ft <sup>2</sup> hr

### CONSTRUCTION COST DATA

Standard Design (GOOD) \$405,000 - \$161/GSF  
Passive House Level (OPTIMIZED) \$425,000 - \$169/GSF  
(5% INCREASE)



Drawings Copyright SWEETGRASS DESIGN STUDIO

# *northfield climate action plan*



## **OUR GOALS**

The City of Northfield is committed to:

- 100% carbon-free electricity by 2030 and
- Being a 100% carbon-free community by 2040.

The plan includes strategies to enhance the resilience of the community as it adapts to the impacts of a changing climate.



[ci.northfield.mn.us/Sustainability](https://ci.northfield.mn.us/Sustainability)



# project goals

- **Everyone feels at home in the neighborhood:** Center every aspect of the project around community, safety, dignity, and privacy to fit the needs of all residents.
- **Flexible for all:** Provide a diverse and mixed-use type of housing to fit the needs of all residents to be cost-neutral for the CAC. Provide an environment that integrates emergency and transitional housing with “real affordable housing”.
- **Prioritize People:** Minimize displacement of current residents as well as support measures that enhance community
- **Planning for the future:** Design homes that minimize environmental impacts, both in construction & in daily operations.
- **Community Pride:** Engage, fund, build, and operate through the joy and commitment of the full Northfield community.



**INTEGRATIVE PROCESS OF  
EDUCATION & EXPLORATION**

**OPTIMIZED DESIGN**

**BEST**

PASSIVE HOUSE STANDARD  
(PHIUS+ 2018)

**BETTER**

IMPROVEMENTS TO  
STANDARD CONSTRUCTION

**GOOD**

STANDARD NORTFIELD  
CONSTRUCTION

EXISTING DESIGN

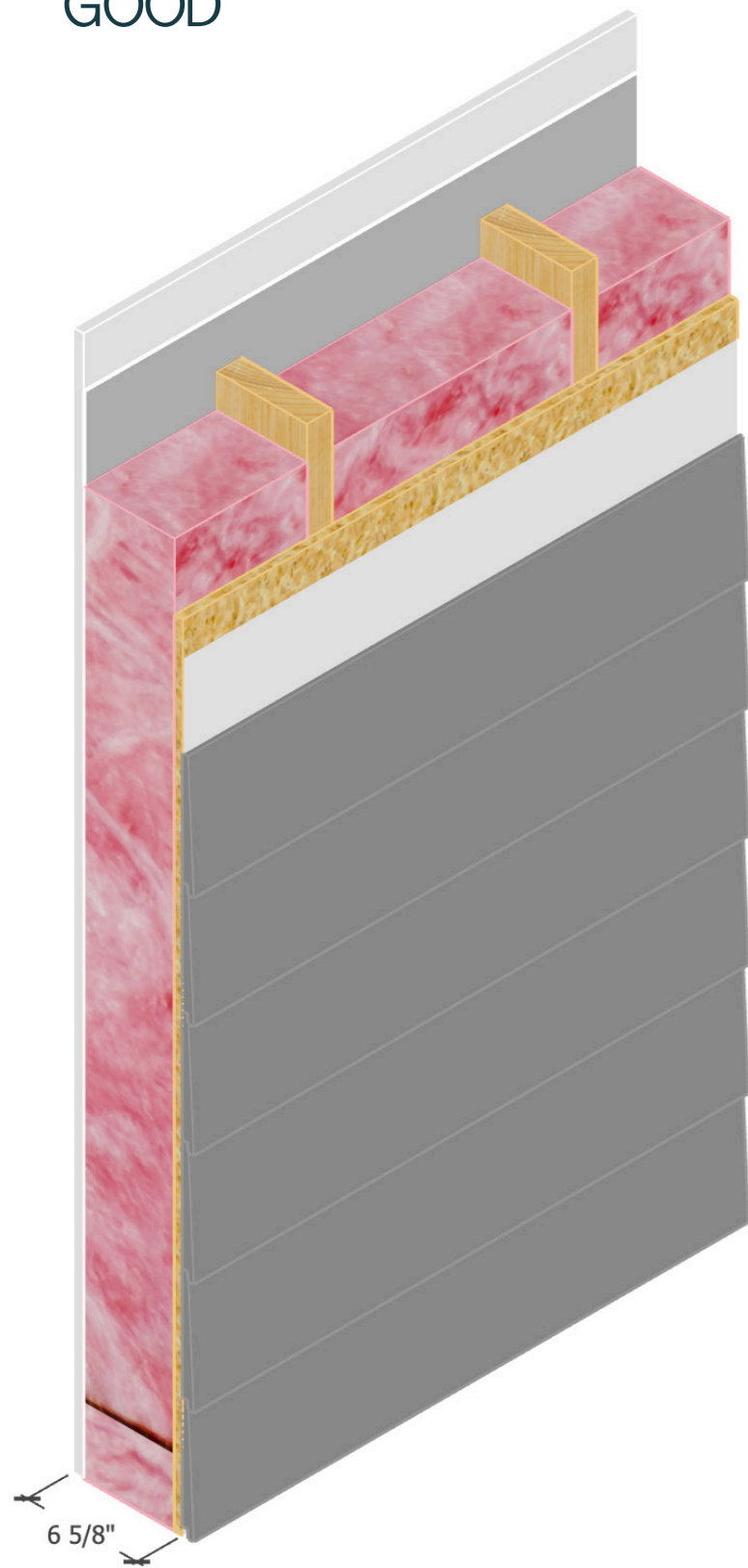
**DETAILED  
ANALYSIS & EVALUATION**

# model assumptions

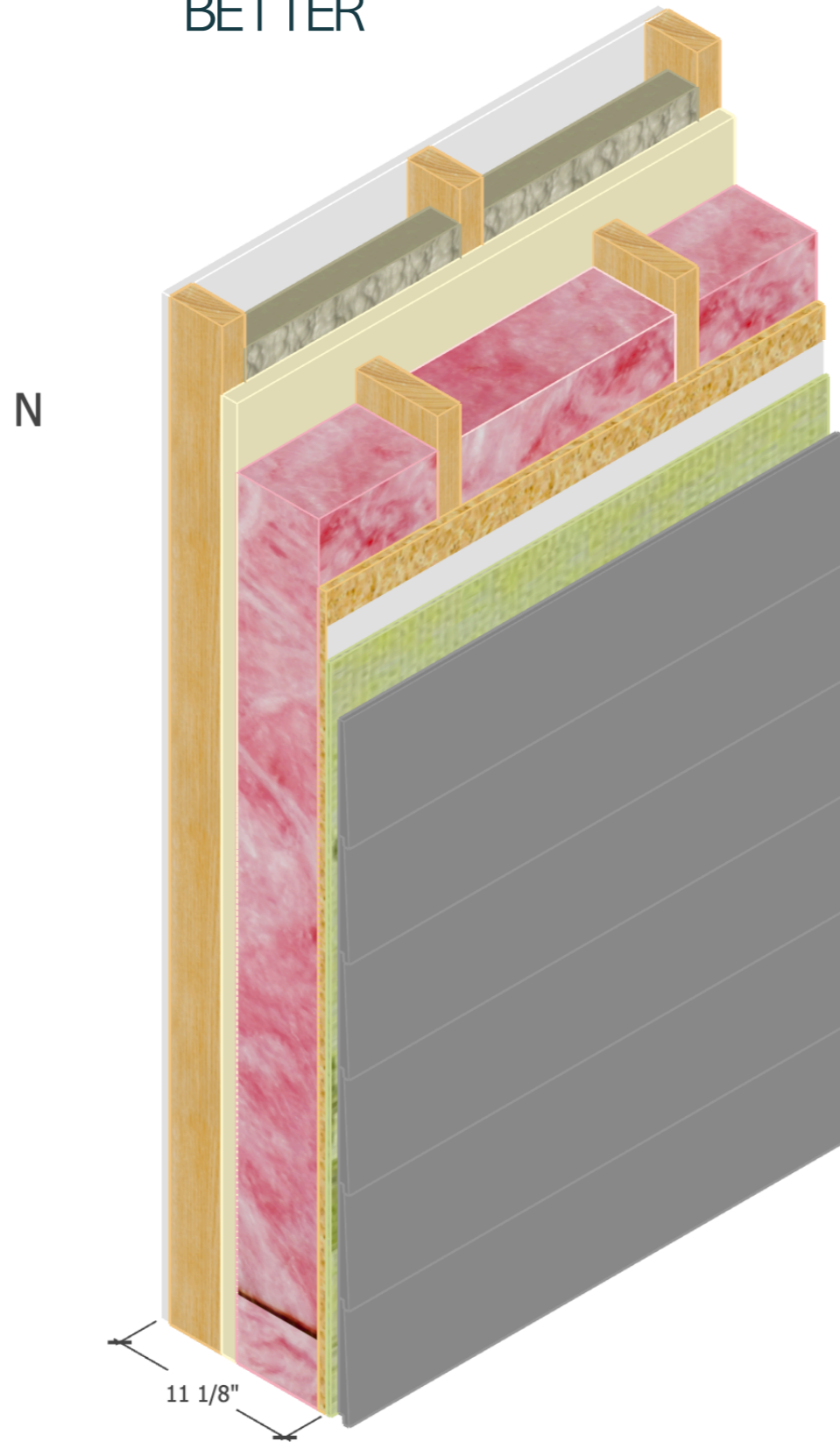
	<b>GOOD STANDARD</b>	<b>BETTER IMPROVED STANDARD</b>	<b>BEST PHIUS+ 2018</b>
(whole wall) Wall	R16.9	"B" R39.6	R36.3
Roof	R50 (R52)	R50 (R52)	R60 (R61.5)
Slab	R10	R15	R25
Windows	Code Baseline Uw-0.32, SHGC 0.26	Pella 350 Natural Sun Uw-0.199, SHGC 0.56	Alpen Triple Glazed Uw-0.179, SHGC 0.582
Doors	R13	R13	R13
Air Sealing	0.945 cfm/SF @50 Pa (2 ACH50)	.0708 cfm/SF @50 Pa (1.5 ACH50)	.05 cfm/SF @50 Pa (1.18 ACH50)
Heating	90 AFUE Gas Furnace	Air to Air Heat Pump 7800 BTU/h Heating COP 3.9 @ 47F / 2.09 @ 5F	Air to Air Heat Pump 7800 BTU/h Heating COP 3.9 @ 47F / 2.09 @ 5F
Cooling	13 SEER Electric AC	Air to Air Heat Pump 12000 BTU/h Cooling COP 4.89, Dehumid. COP 2	Air to Air Heat Pump 12000 BTU/h Cooling COP 4.89, Dehumid. COP 2
Geothermal Option		Ground Source Heat Pump Heating 3.0 COP, Cooling 5.0 COP DHW 2.8 COP	Ground Source Heat Pump Heating 3.0 COP, Cooling 5.0 COP DHW 2.8 COP
Ventilation	Energy Recovery Ventilator Lifebreath 170 ERVD SRE 0.82 / LRE 0.63 / 0.94 W/cfm	Energy Recovery Ventilator Lifebreath 170 ERVD SRE 0.82 / LRE 0.63 / 0.94 W/cfm	Energy Recovery Ventilator Zehnder Q350 ComfortAir ERV SRE 0.86 / LRE 0.73 / 0.37 W/cfm
DHW	Standard Natural Gas 0.67 EF / 50 ga. tank	Condensing Natural Gas 0.90 EF / 50 ga. tank	Electric Heat Pump 3.93 EF (3.75 UEF) / 50 ga. tank COP 1.7325
Lighting & Power	100% LED	100% LED	100% LED
Thermal Bridging	6091 kBTU/year	4902 kBTU/year	468 kBTU/year

# *wall assemblies*

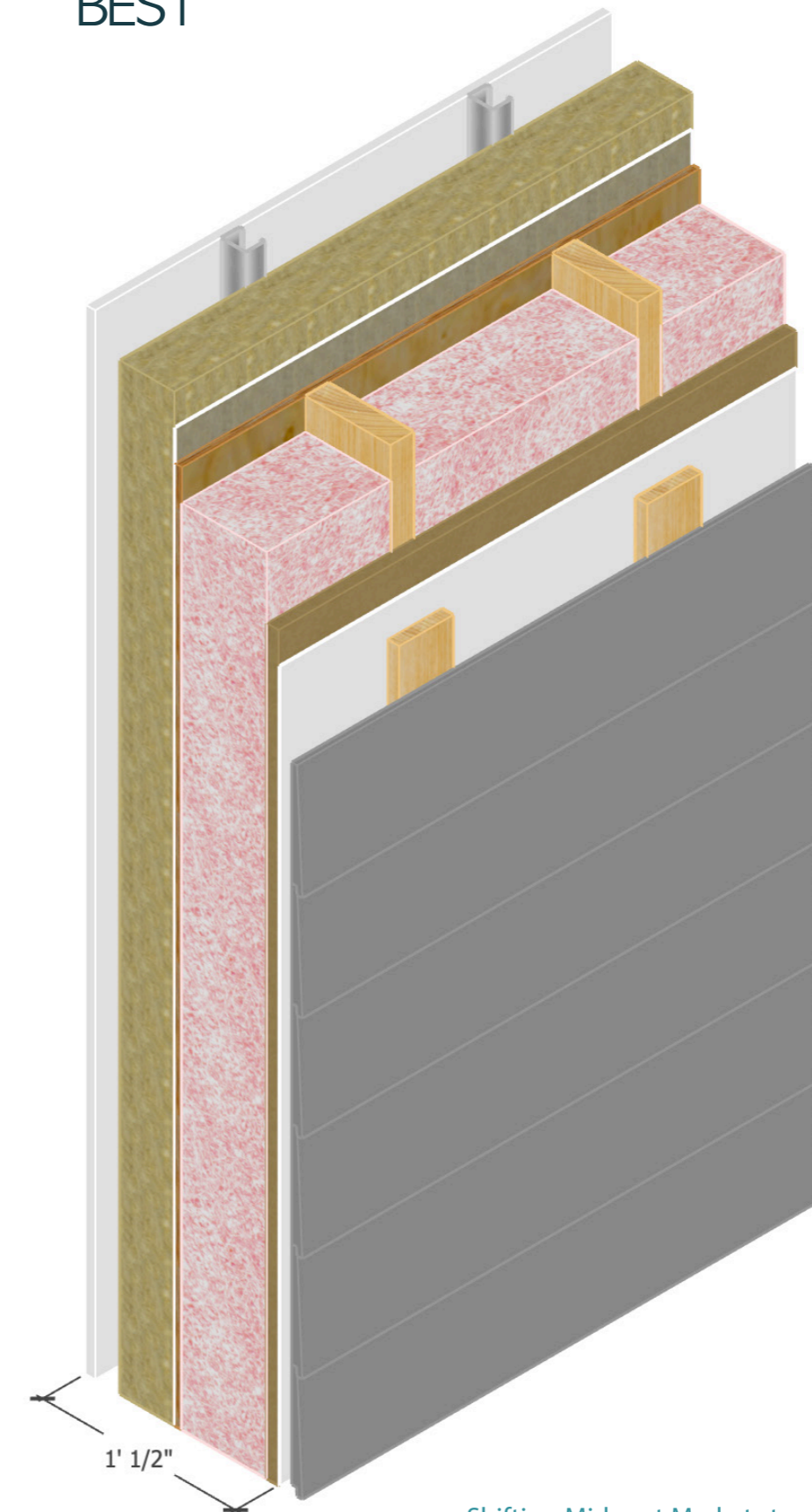
GOOD



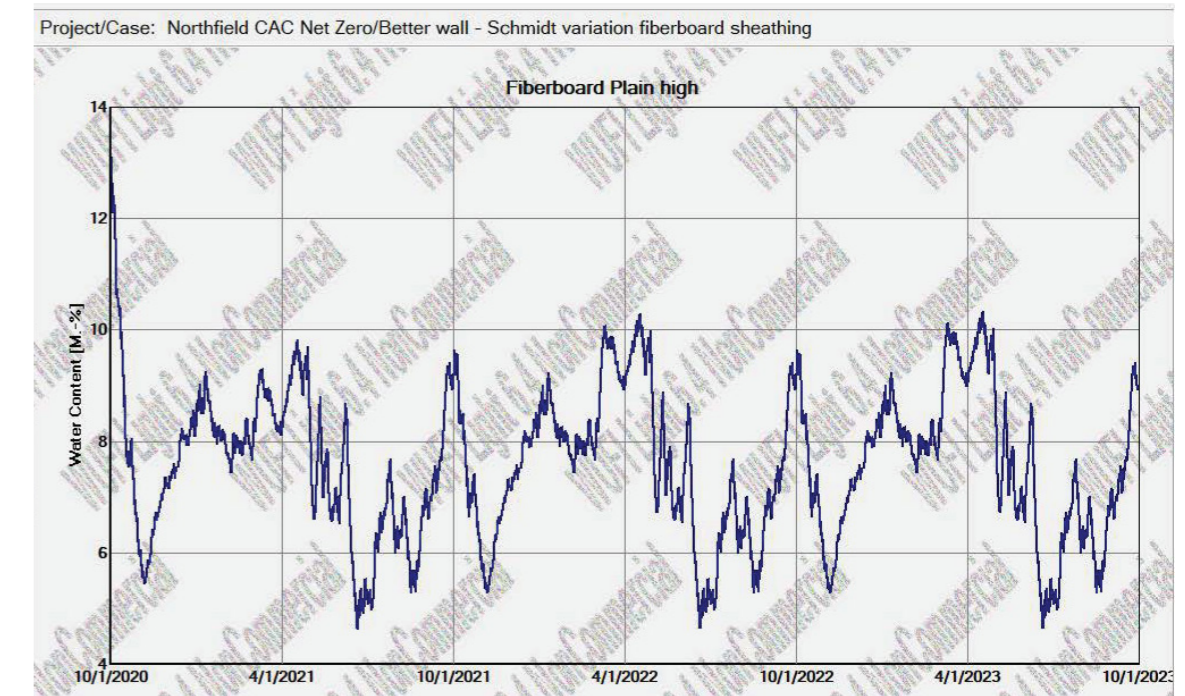
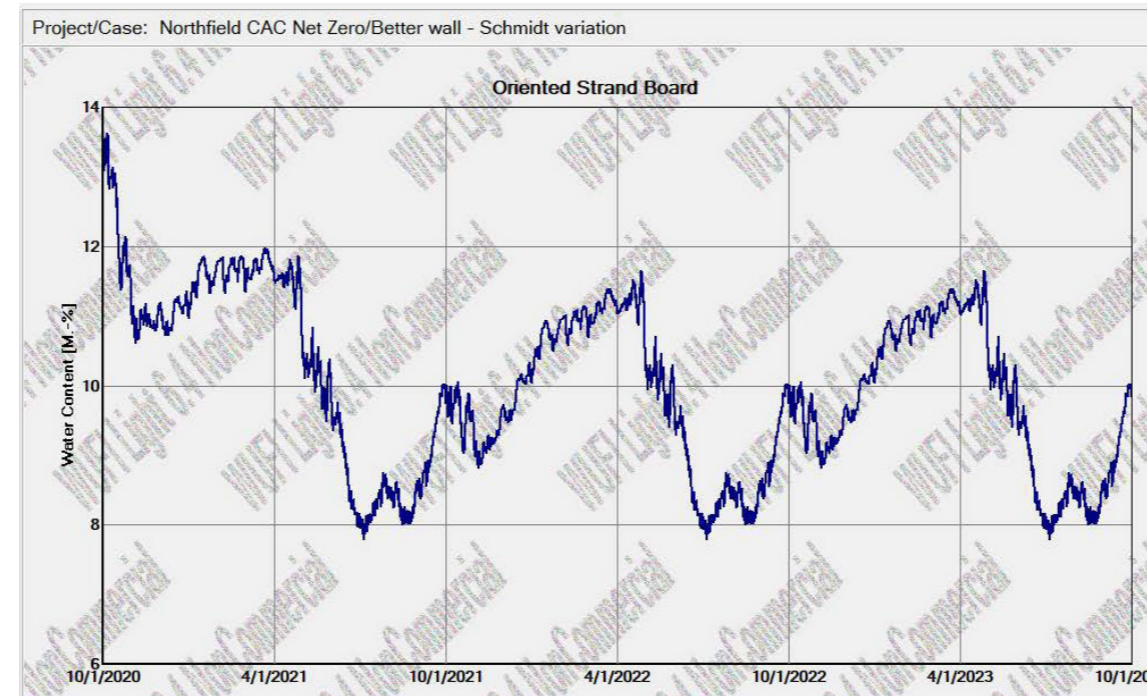
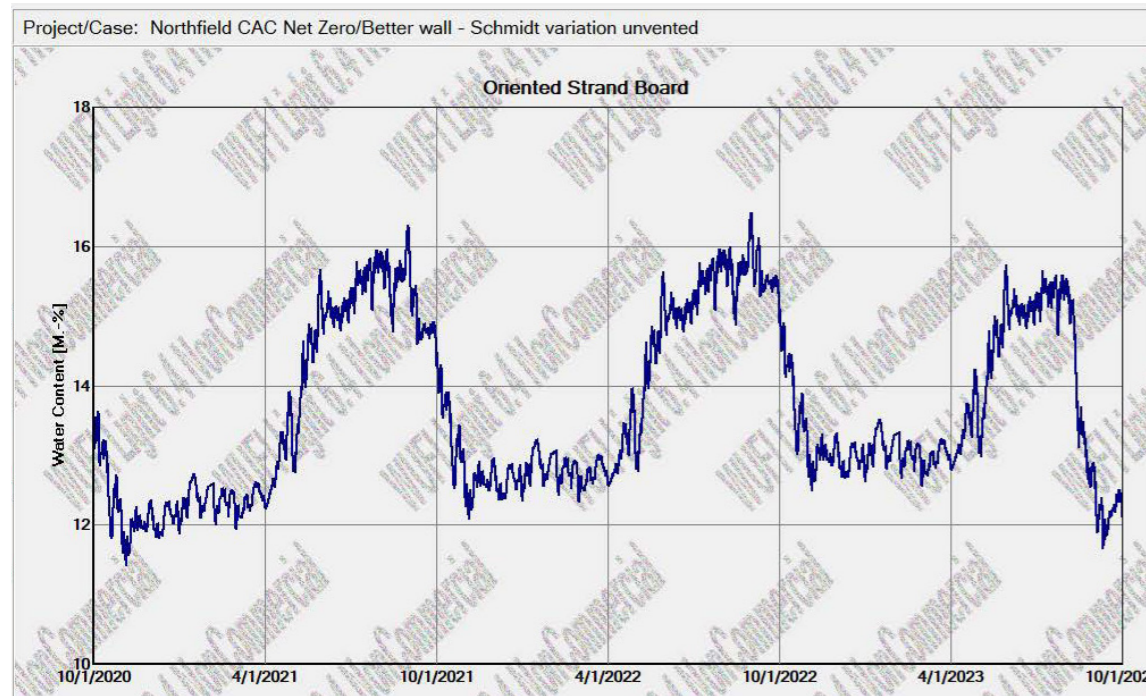
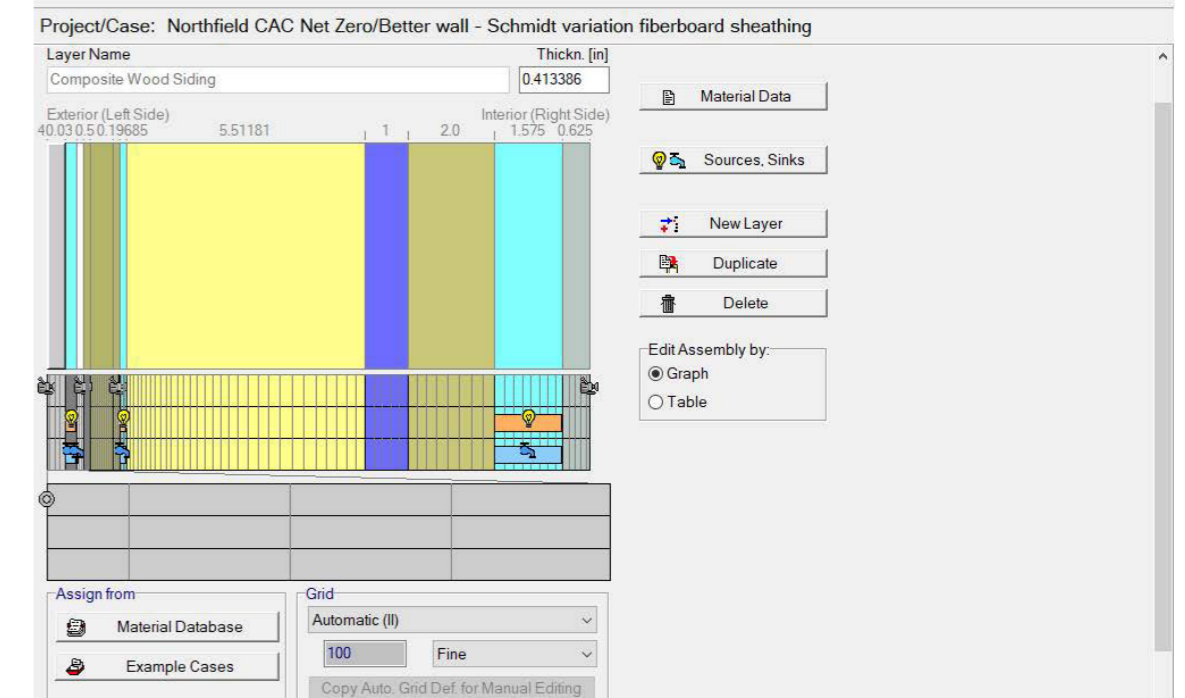
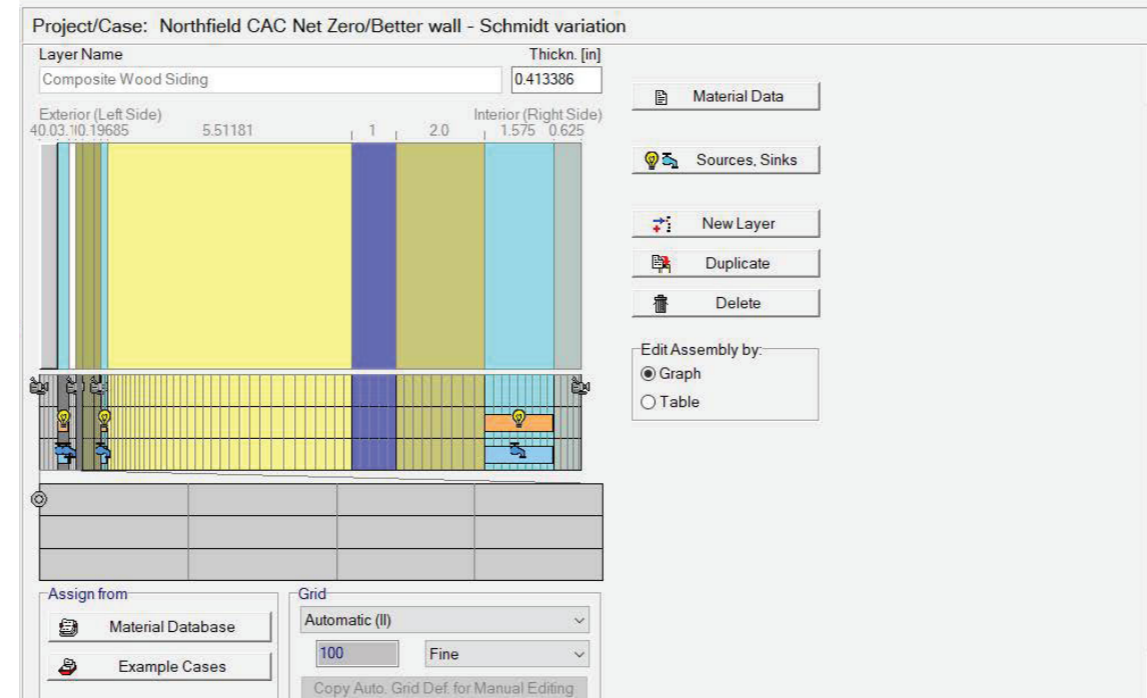
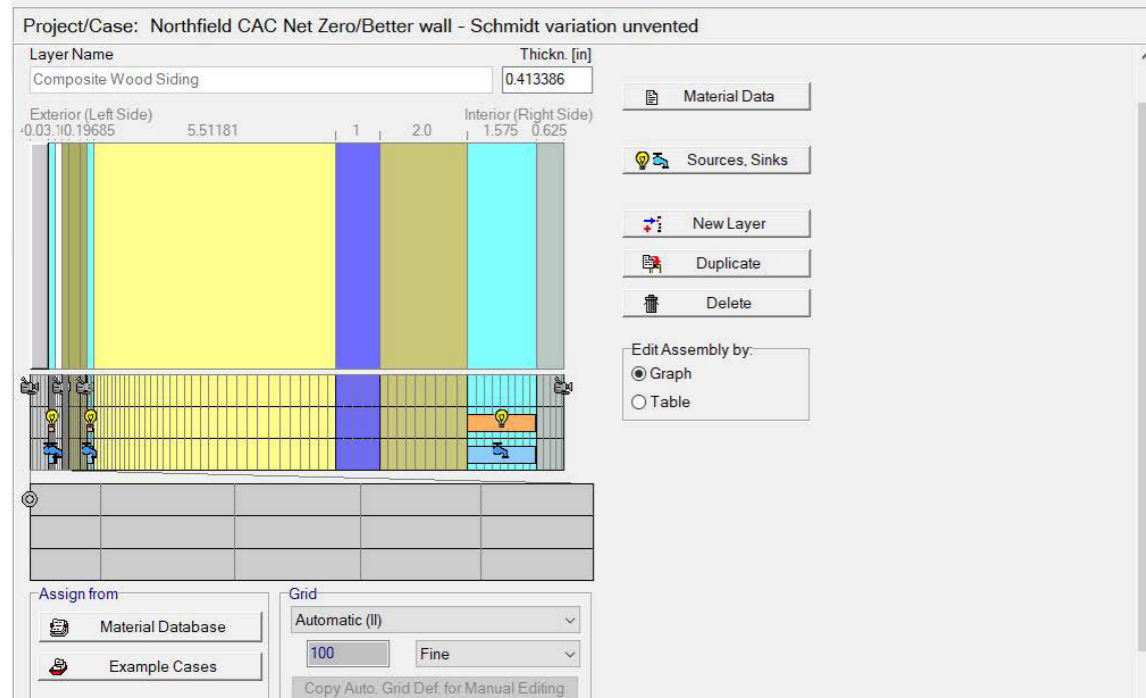
BETTER



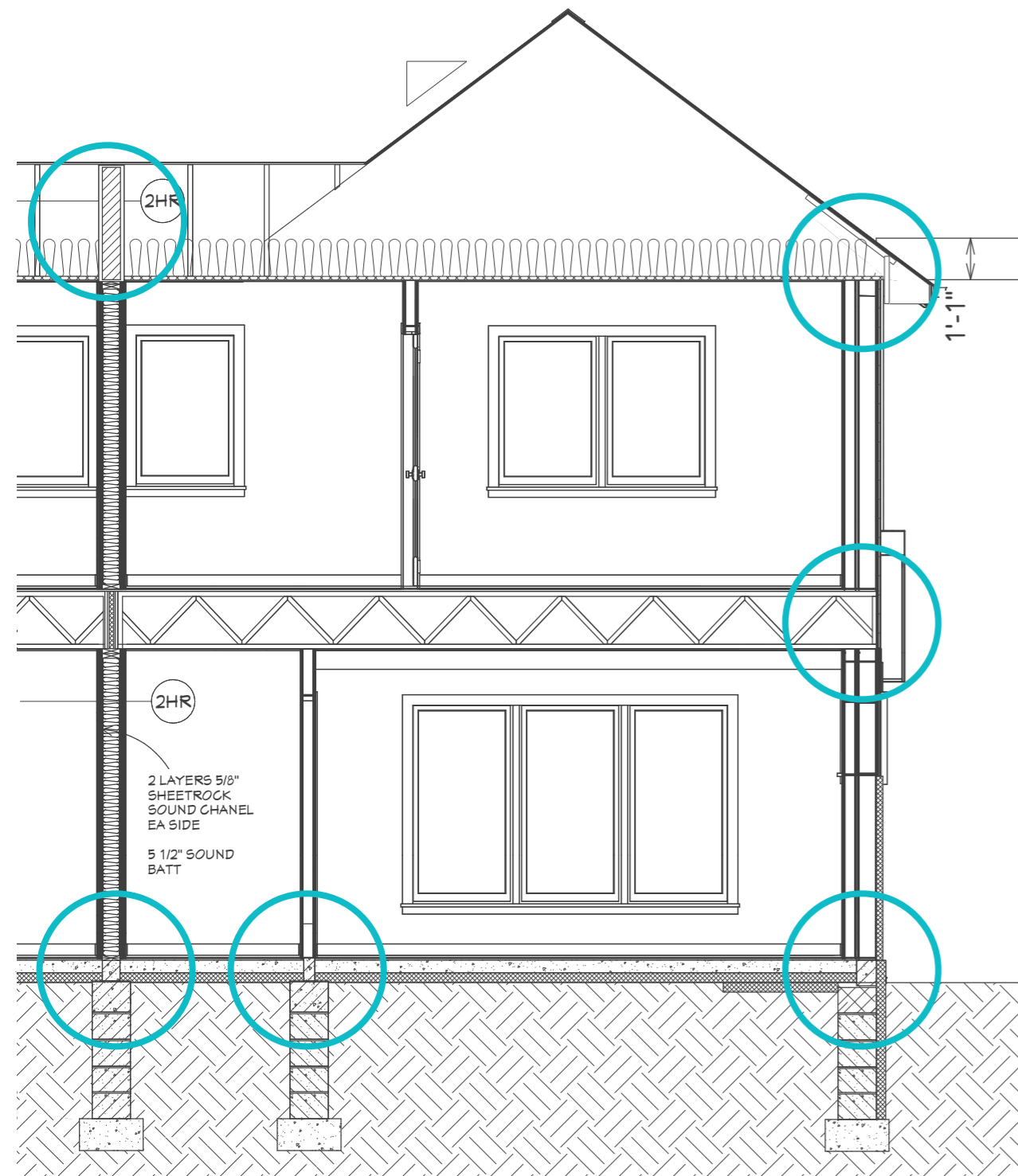
BEST



# hygrothermal analysis



# thermal bridge analysis

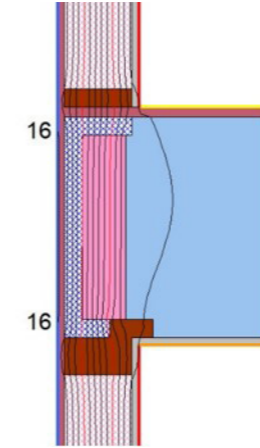


drawings copyright SWEETGRASS DESIGN STUDIO

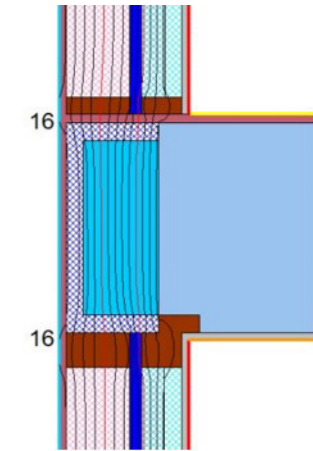
## 6091 KBTU/YEAR VS 468 KBTU/YEAR

### RIM JOIST DETAIL

TB (>0.006) 0.018 BTU/hr-ft-F

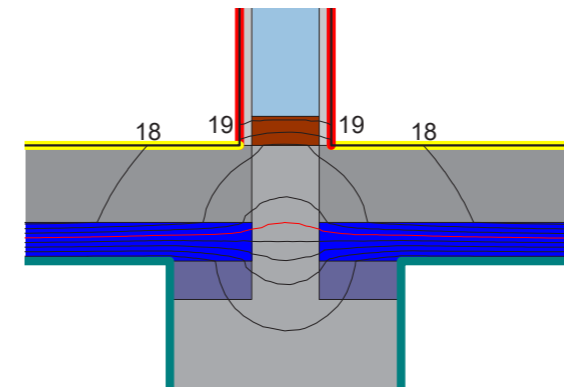


TB-FREE (<0.006) 0.003 BTU/hr-ft-F

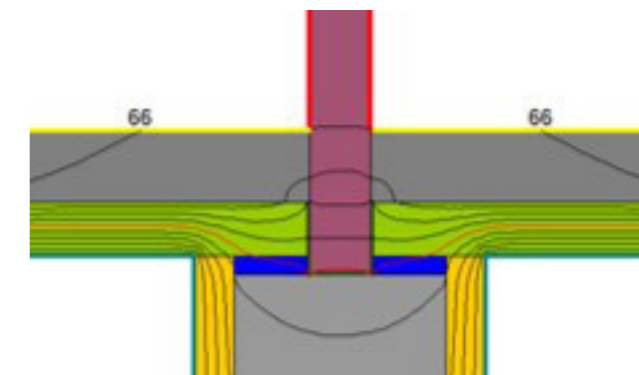


### BEARING WALL DETAIL

TB 0.341 BTU/hr-ft-F

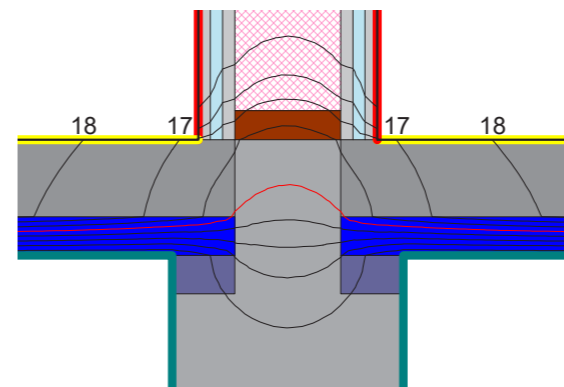


ADEQUATE 0.127 BTU/hr-ft-F

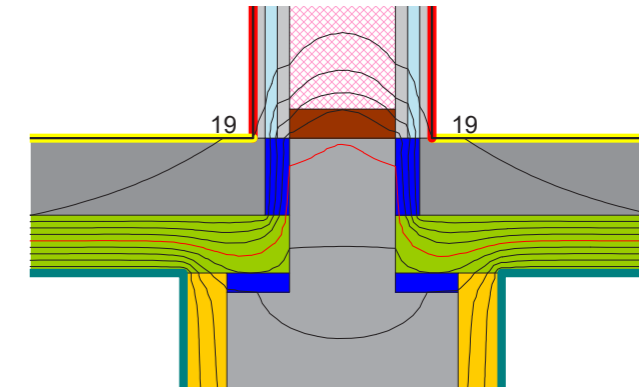


### DEMISING WALL DETAIL

TB 0.380 BTU/hr-ft-F



ADEQUATE 0.062 BTU/hr-ft-F



# domestic hot water

## GOOD

Conventional Natural Gas



Energy Star-certified  
0.67 EF / 50 ga. tank

## BETTER

Condensing Natural Gas



AO Smith Vertex  
0.90 EF / 50 ga. tank  
67Hx22Dia

## BEST

Electric Heat Pump  
w/ Drainwater Heat Recovery



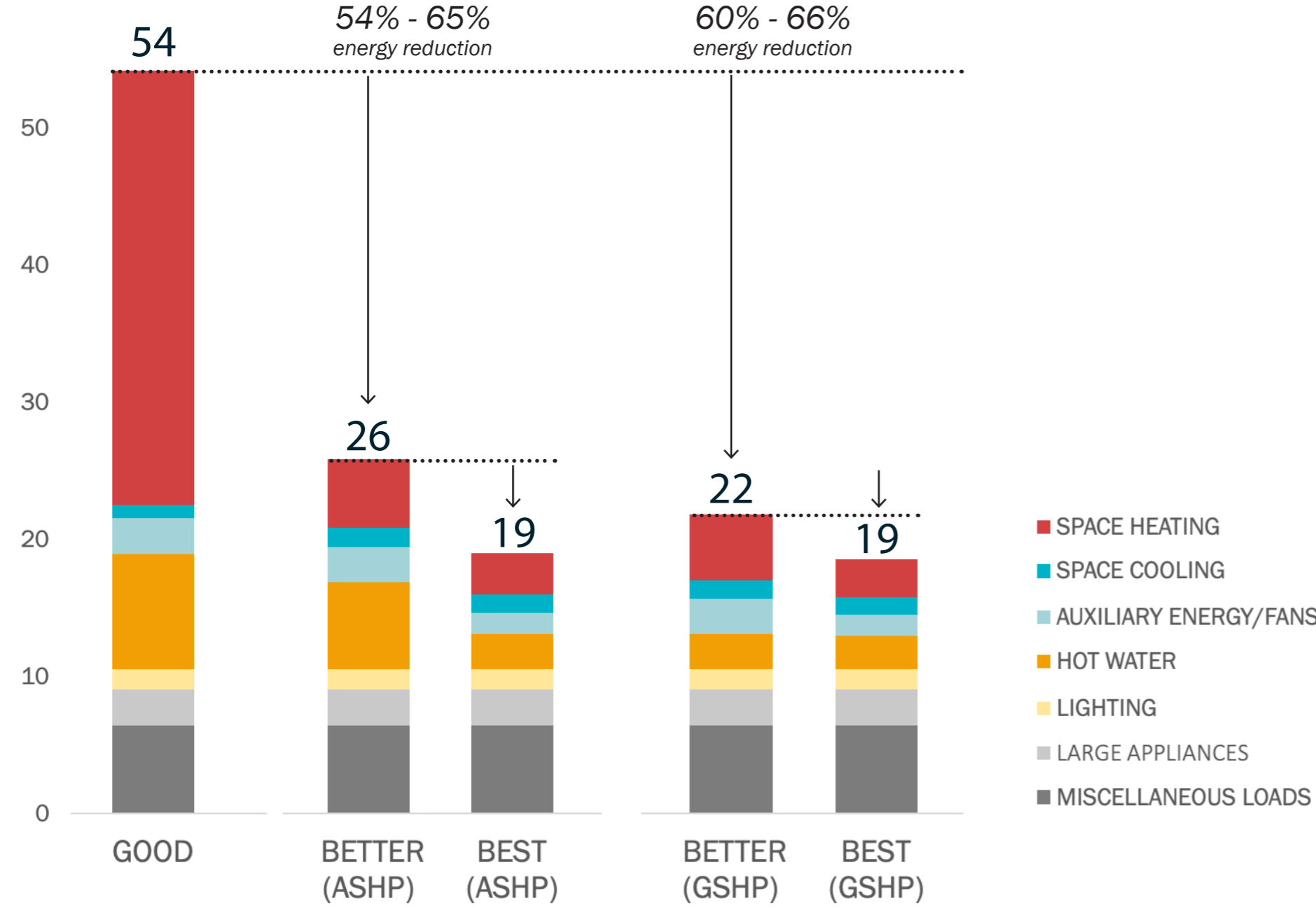
Rheem ProTerra  
3.93 EF (2.7 Effective)/ 50 ga. tank  
62Hx22Dia

### DRAIN WATER HEAT RECOVERY

Simple copper water coil recovers heat from shower/tub drain, increasing the temperature of water coming in to the hot water tank. This makes it easier for electric heat pump water heaters to keep up with high demand.

<http://renewability.com/wp-content/uploads/2017/09/KB-Homes3.jpg>  
[https://www.energy.gov/sites/prod/files/styles/borealis\\_photo\\_gallery\\_large\\_respondx/public/drainwater\\_heat\\_recover.gif?itok=FNJ2jr00](https://www.energy.gov/sites/prod/files/styles/borealis_photo_gallery_large_respondx/public/drainwater_heat_recover.gif?itok=FNJ2jr00)

# annual site energy use comparison



Annual Energy Use Comparison (kBtu/sf-yr)

While moving to a Ground Source Heat Pump does make a difference in total Energy Use Intensity for the Better case, much of this is due to the switch from a natural gas condensing water heater to a heat pump water heater.

Since the loads were already so reduced, the team did not consider the small efficiency improvement offered by the GSHP over the ASHP to be worth the extra expense and complexity.



# northfield optimized hybrid

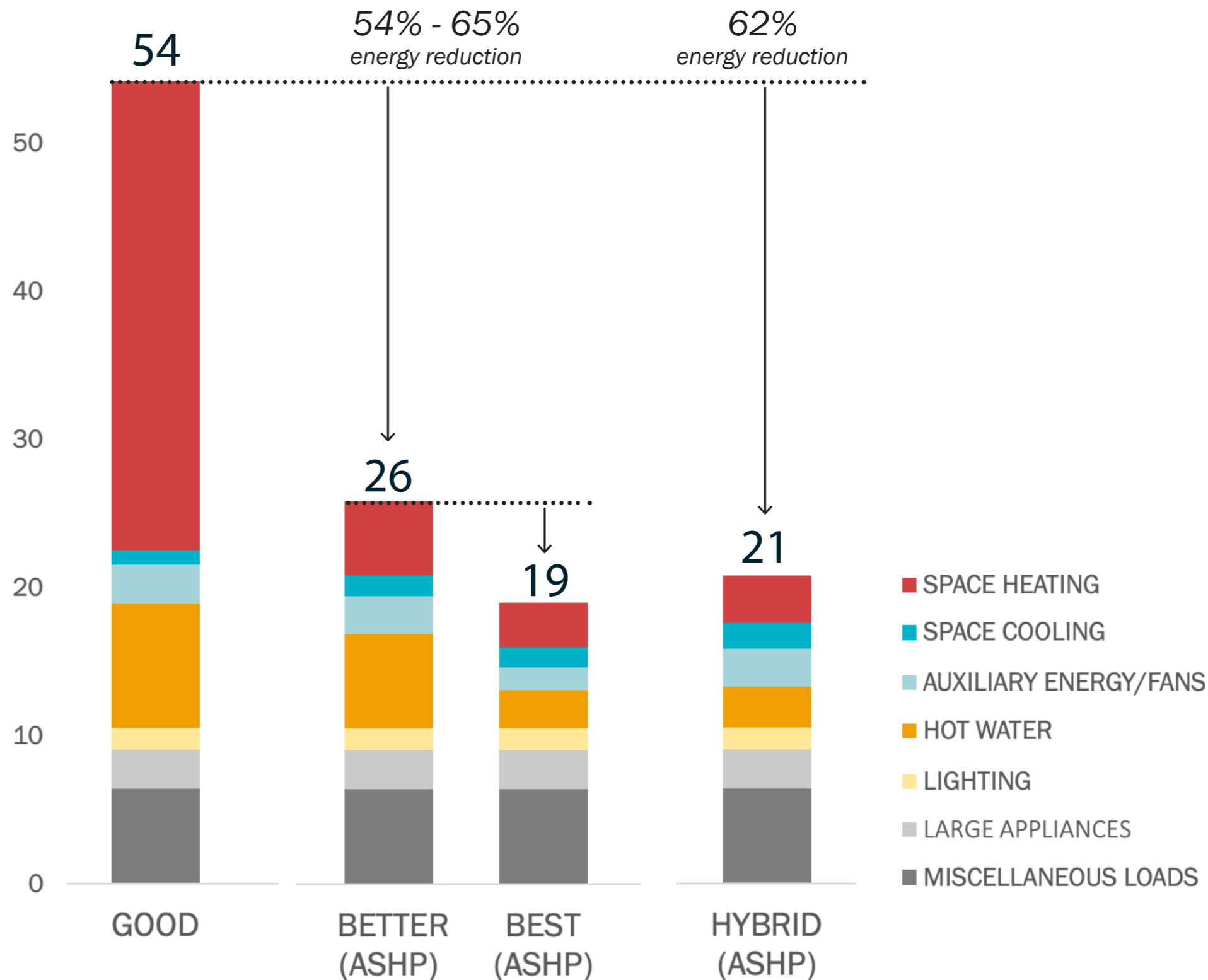
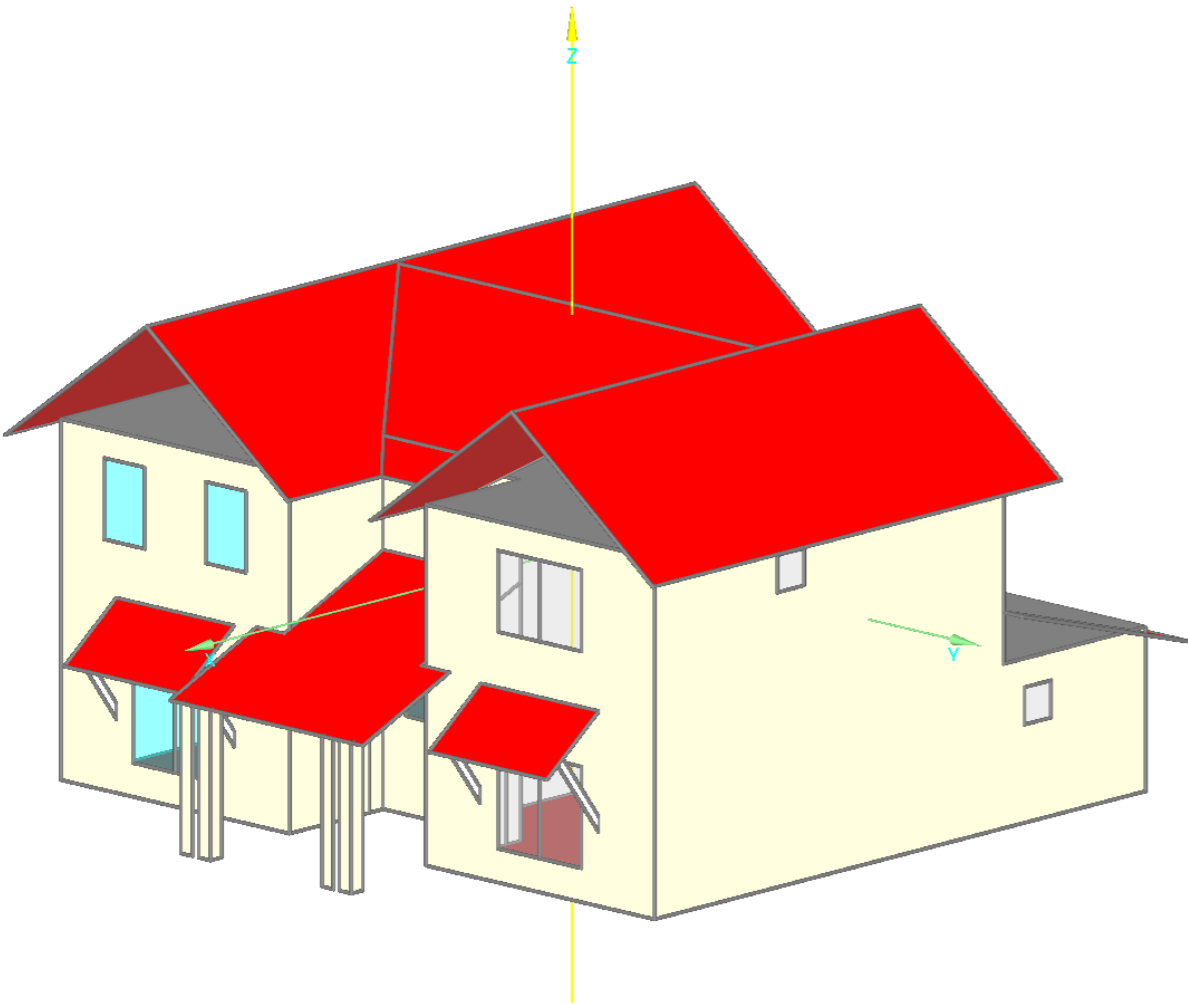
## GOOD STANDARD

## BETTER IMPROVED STANDARD

## BEST PHIUS+ 2018

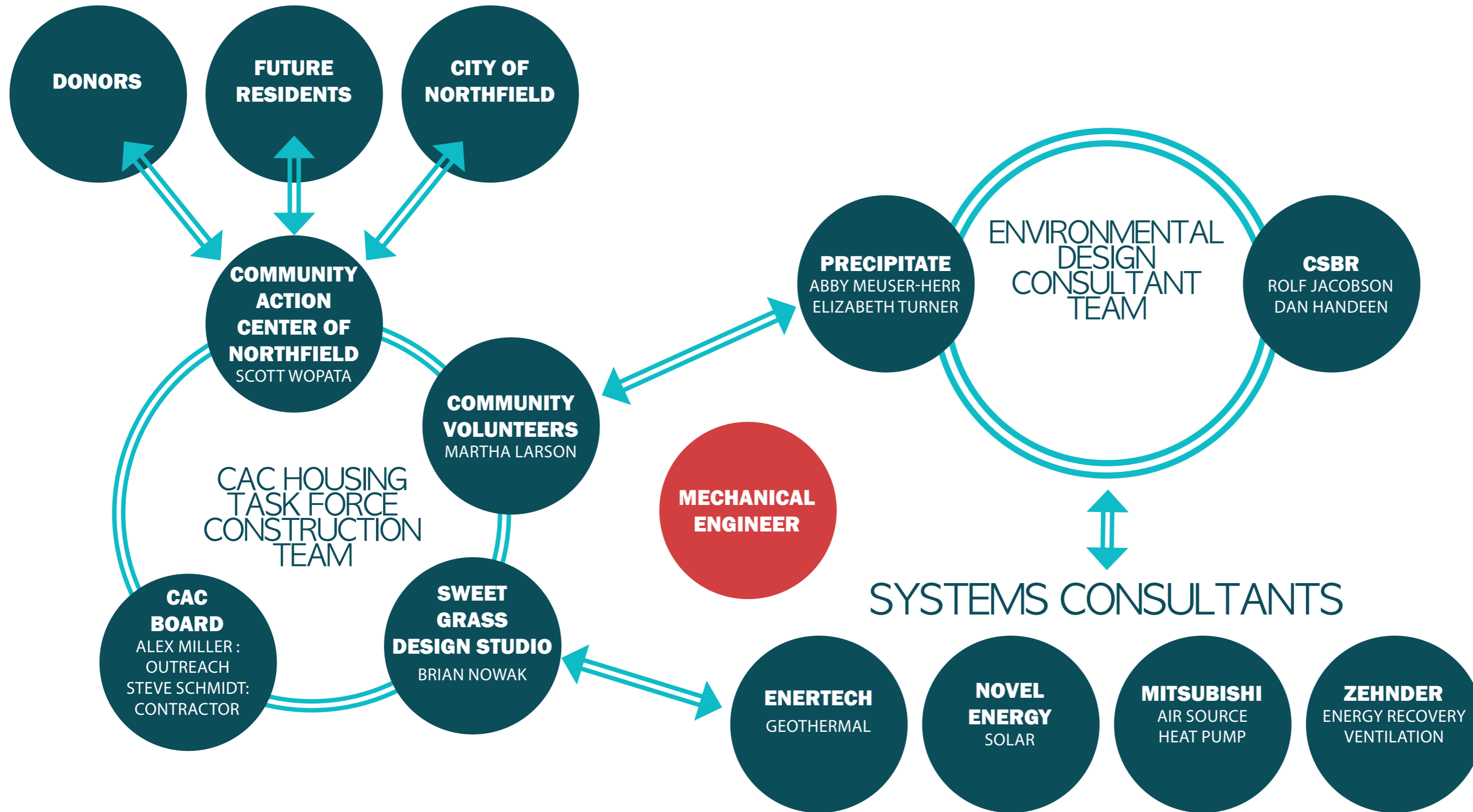
(whole wall) Wall	R16.9	"B" R39.6	R36.3
Roof	R50 (R52)	R50 (R52)	R60 (R61.5)
Slab	R10	R15	R25 --> R28
Windows	Code Baseline Uw-0.32, SHGC 0.26	Pella 350 Natural Sun Uw-0.199, SHGC 0.56	Alpen Triple Glazed Uw-0.179, SHGC 0.582
Doors	R13	R13	R13
Air Sealing	0.945 cfm/SF @50 Pa (2 ACH50)	.0708 cfm/SF @50 Pa (1.5 ACH50)	.05 cfm/SF @50 Pa (1.18 ACH50) --> .047 cfm/SF @50 Pa (1 ACH50)
Heating	90 AFUE Gas Furnace	Air to Air Heat Pump 7800 BTU/h Heating COP 3.9 @ 47F / 2.09 @ 5F	Air to Air Heat Pump 7800 BTU/h Heating COP 3.9 @ 47F / 2.09 @ 5F
Cooling	13 SEER Electric AC	Air to Air Heat Pump 12000 BTU/h Cooling COP 4.89, Dehumid. COP 2	Air to Air Heat Pump 12000 BTU/h Cooling COP 4.89, Dehumid. COP 2
Geothermal Option		Ground Source Heat Pump Heating 3.0 COP, Cooling 5.0 COP DHW 2.8 COP	Ground Source Heat Pump Heating 3.0 COP, Cooling 5.0 COP DHW 2.8 COP
Ventilation	Energy Recovery Ventilator Lifebreath 170 ERVD SRE 0.82 / LRE 0.63 / 0.94 W/cfm	Energy Recovery Ventilator Lifebreath 170 ERVD SRE 0.82 / LRE 0.63 / 0.94 W/cfm	Energy Recovery Ventilator Zehnder Q350 ComfortAir ERV SRE 0.86 / LRE 0.73 / 0.37 W/cfm
DHW	Standard Natural Gas 0.67 EF / 50 ga. tank	Condensing Natural Gas 0.90 EF / 50 ga. tank	Electric Heat Pump 3.93 EF (3.75 UEF) / 50 ga. tank COP 1.7325
Lighting & Power	100% LED	100% LED	100% LED
Thermal Bridging	6091 kBTU/year	4902 kBTU/year	468 kBTU/year

# annual site energy use comparison

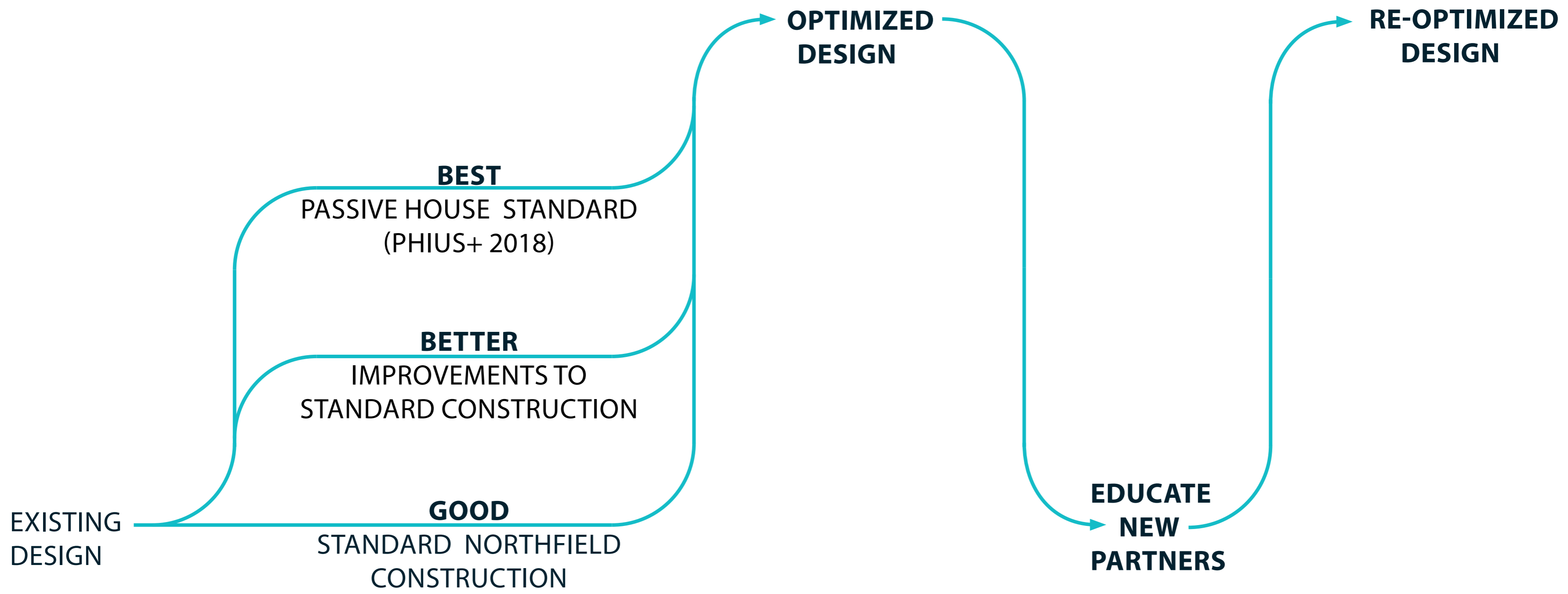


**ANNUAL SITE ENERGY USE COMPARISON (kBTU/sf-yr)**

*new partners*

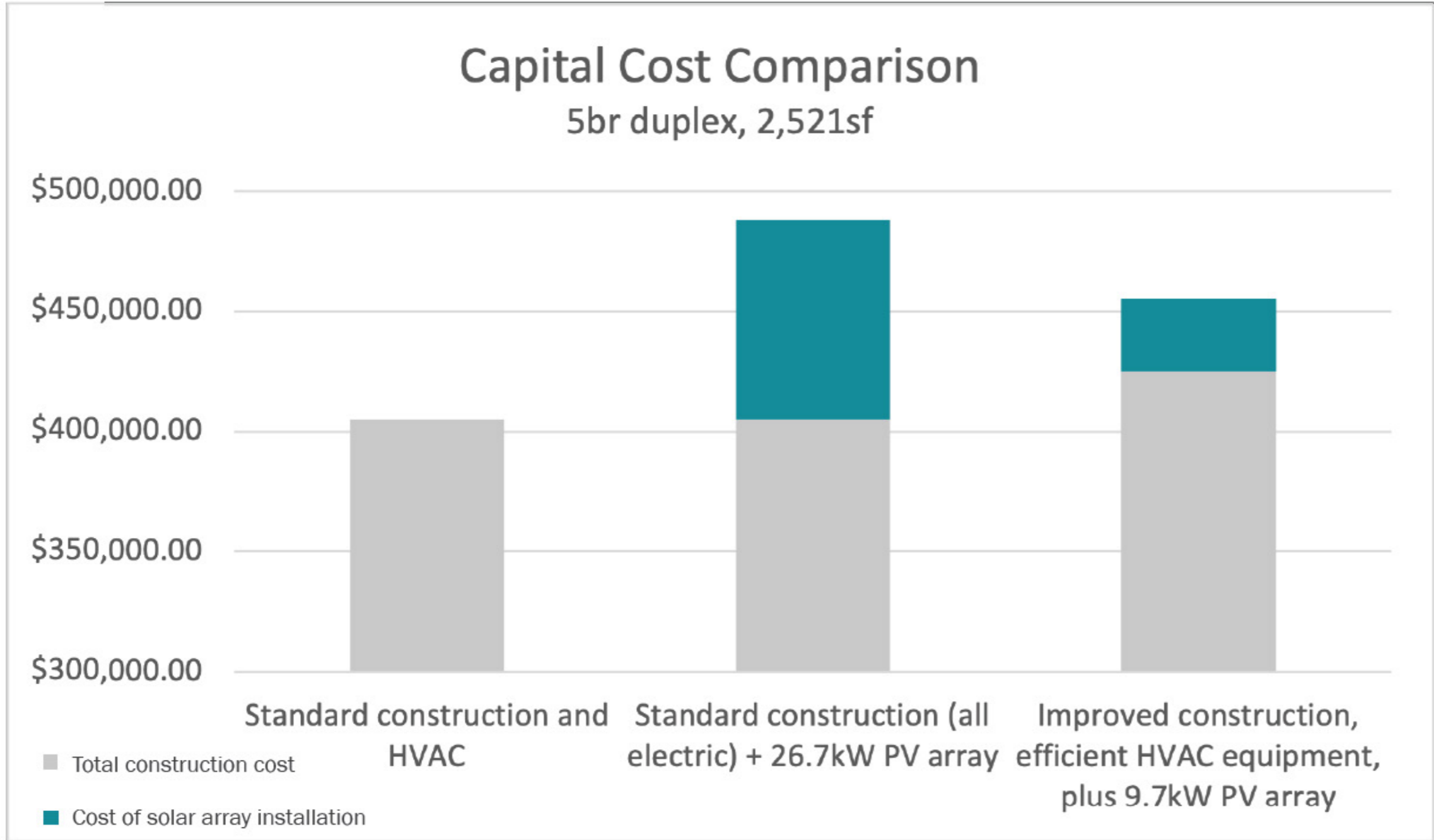


*multiple iterations*



# construction cost comparison

Adding PV to the standard construction adds an estimated 20.4% to the construction cost.  
The optimized construction and equipment plus PV represents an estimated 12.4% increase over standard construction.



*it's happening!*



photo courtesy Scott Wopota, CAC of Northfield

## FEEDBACK LOOP - CERTS GRANT

